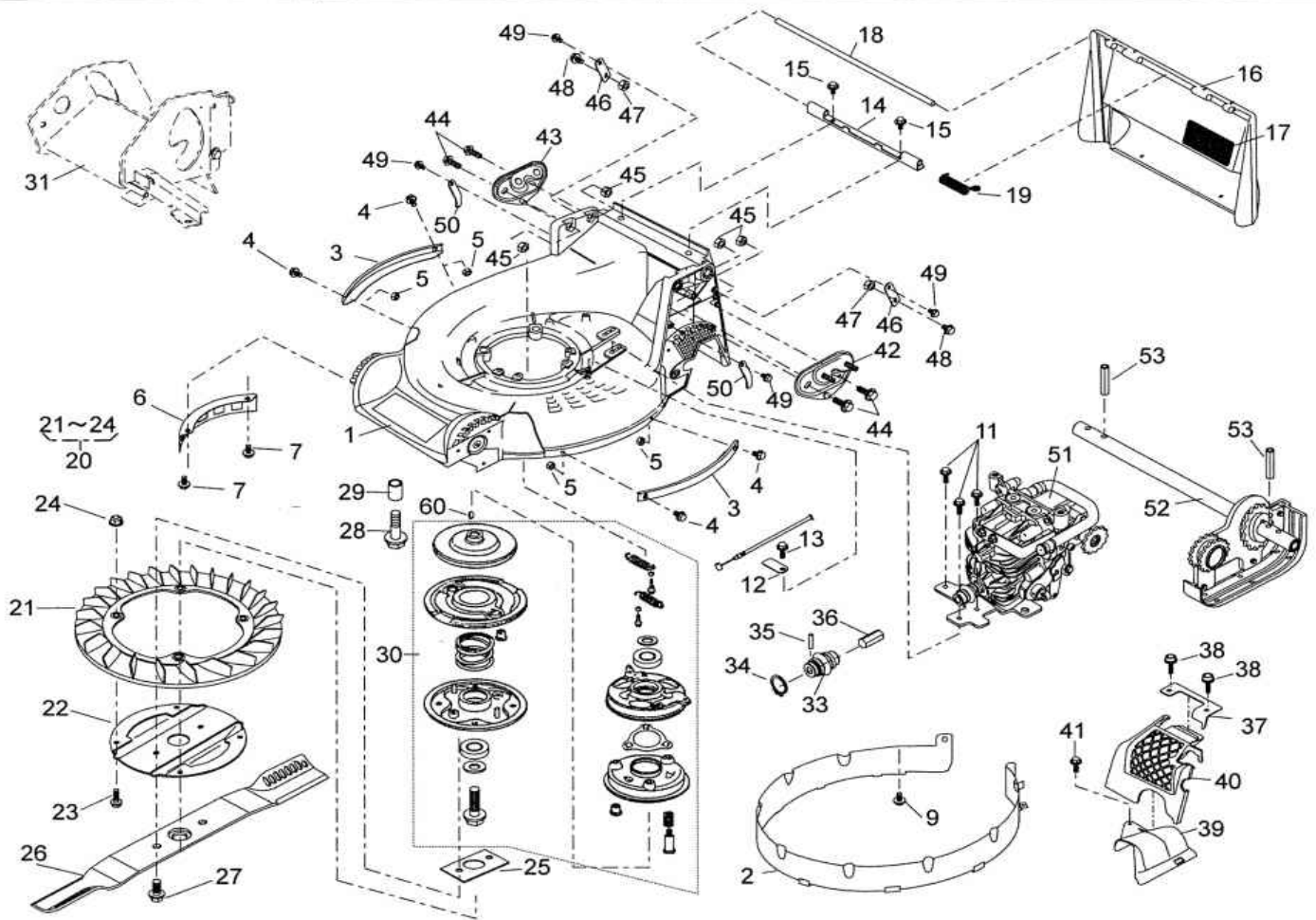


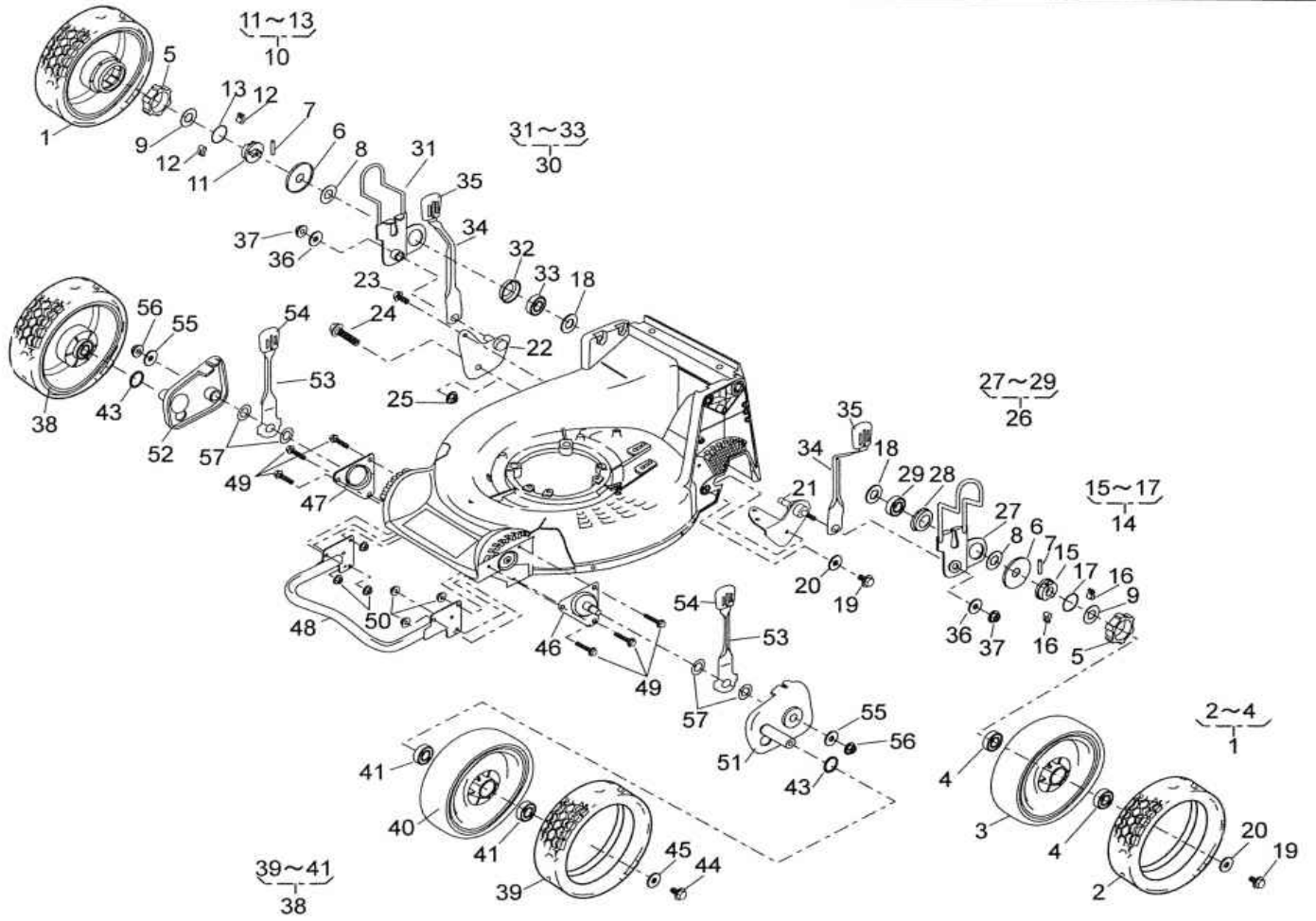
# ESPLOSO RICAMBI SARP-KAAZ

## LM5360HXA-HST-PRO 551 code 620551

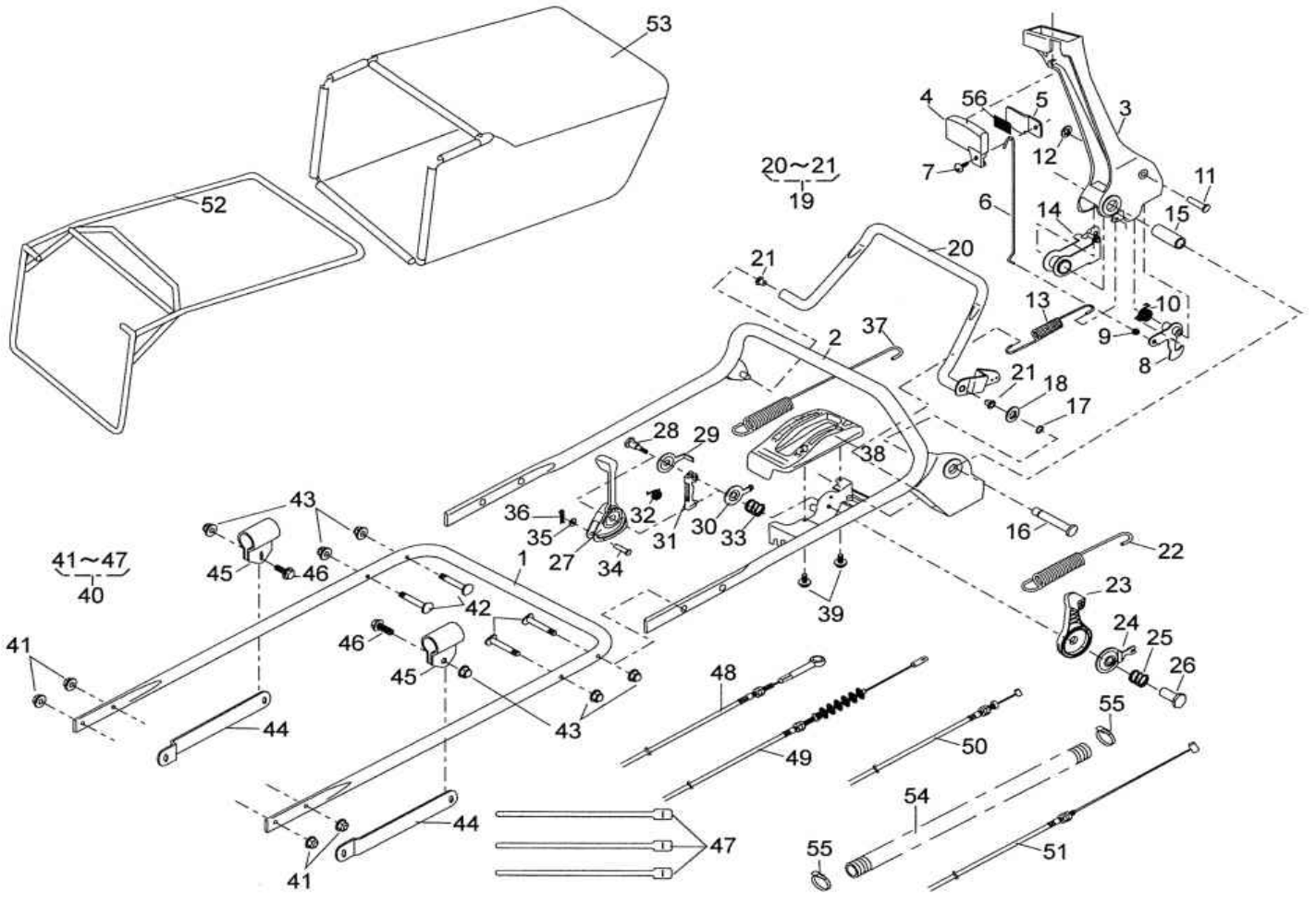
GRASS-CUTTING-HST-PRO	Date : 01. Feb, 2010	Revision : 00	Page : 1/2
Brand : KAAZ	Model : LM5360HXA-HST-PRO	Product Code : 620551	



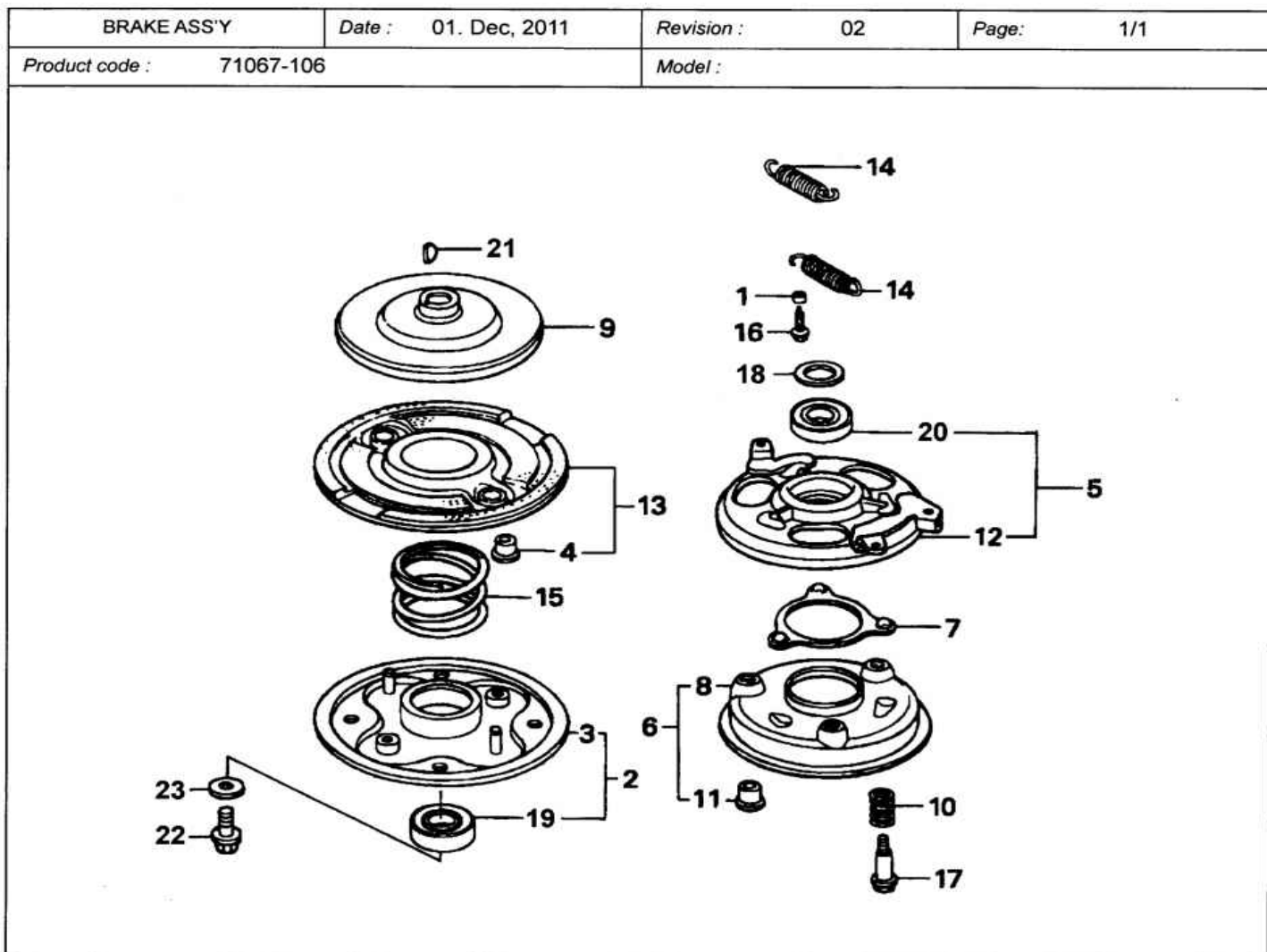
Ref.No.	Part No.	Part Name	(A)Q`ty	(B)Q`ty	(C)Q`ty	Remark
1	51043-151-42	HOUSING	1			
2	36068-204	GUARD	1			
3	51090-117-09	PROTECTOR	2			
4	335L0616	FLANGE BOLT	4			
5	512L0600	HEXAGON NUT	4			
6	36065-180	COVER	1			
7	342L0612	FLANGE TAPPING BOLT	2			
9	342L0612	FLANGE TAPPING BOLT	1			
11	342L0612	FLANGE TAPPING BOLT	3			
12	11113-407	STAY	1			
13	342L0612	FLANGE TAPPING BOLT	1			
14	11113-292	STAY	1			
15	342L0612	FLANGE TAPPING BOLT	2			
16	36068-196-46	GUARD	1			
17	36080-149	RUBBER SHEET	1			
18	64014-324	SHAFT	1			
19	68013-336	SPRING	1			
20	71082-111	FAN ASS Y	1			
21	51125-103	FAN	1			
22	11102-151	HOLDER	1			
23	31062-169	PRE-COAT LOCK BOLT	4			
24	579L0600	FLANGE NUT	4			
25	61024-208	SPACER	1			
26	91014-188	BLADE	1			
27	31057-197	BOLT	2			
28	31057-243	BOLT	4			
29	61024-142	SPACER	3			
30	71067-106	BRAKE A Y(BBC530-KAZ	1			
33	91097-101	UNIVERSAL JOINT	1			
34	812V2000	C-SNAP RING	1			
35	717B0418	PARALLEL PIN	1			
36	64014-368	SHAFT	1			
37	11050-181	FIXING PLATE	1			
38	423L0820	SOCKET SCREW FLANGE	2			
39	36065-453	COVER	1			
40	36065-454	COVER	1			
41	342L0616	FLANGE TAPPING BOLT	1			
42	51116-149	HANDLE BRACKET	1			
43	51116-150	HANDLE BRACKET	1			
44	31057-255	BOLT (M8x25)	4			
45	512L0800	HEXAGON NUT	4			
46	11113-408	STAY	2			
47	512L0800	HEXAGON NUT	2			
48	31057-181	BOLT	2			
49	342L0612	FLANGE TAPPING BOLT	4			
50	11113-415	STAY	2			
51	71900-979	HST ASS Y	1			
53	711V0522	SPRING PIN	2			
60	94401-16150	WOODRUFF KEY (16x15)	1			



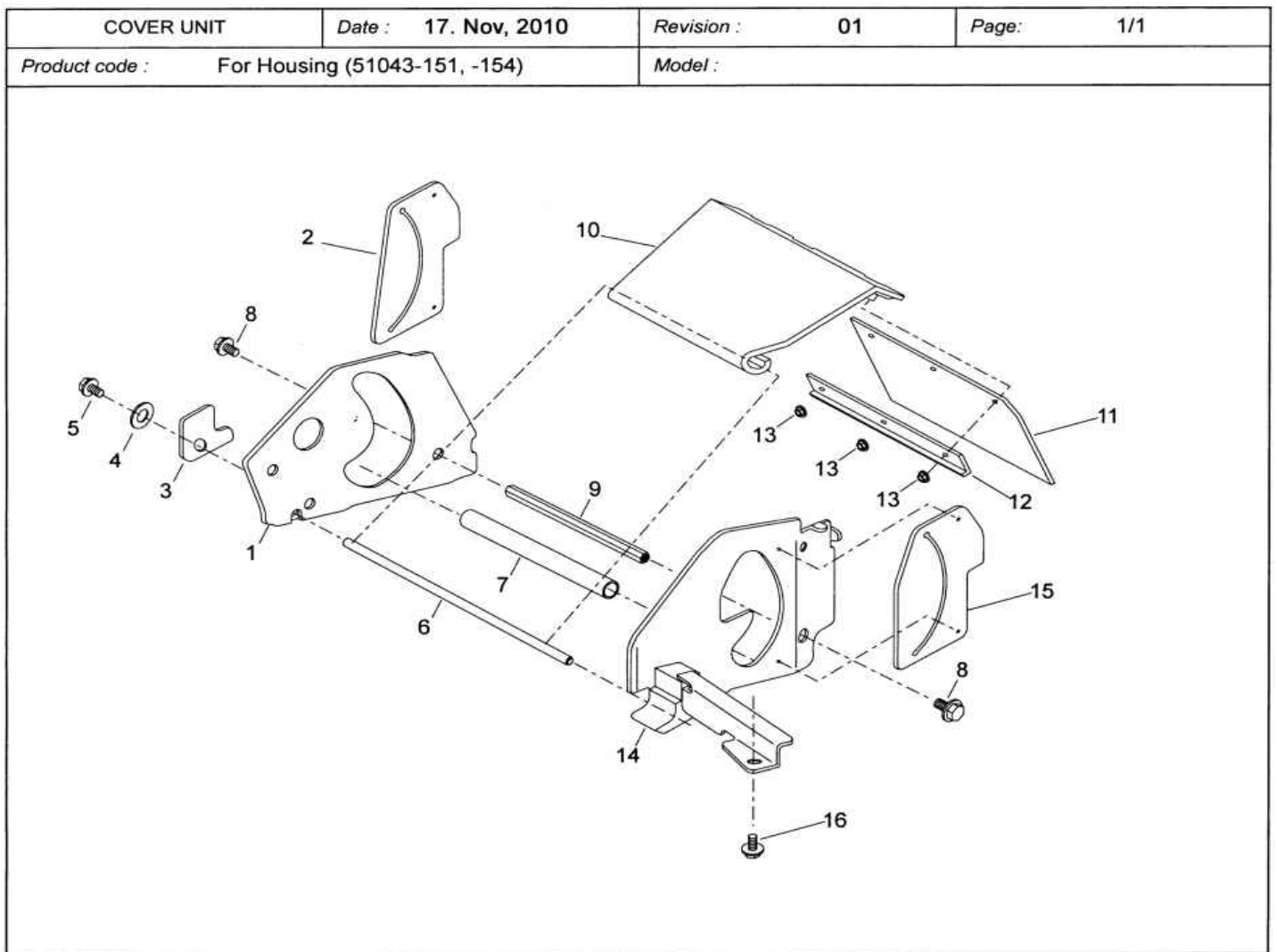
Ref.No.	Part No.	Part Name	(A)Q`ty	(B)Q`ty	(C)Q`ty	Remark
1	71041-144	WHEEL ASS Y	2			
2	91086-116	TIRE	2			
4	916B6002	BEARING (6002DDC3)	4			
5	11086-119	STOPPER	2			
6	61003-112	THRUST PLATE	2			
7	31034-137	PIN	2			
8	68036-270	WASHER (15.2x26x1.6)	2			
9	68036-146	WASHER (16x31.5x1.0)	2			
10	71158-104	RATCHET ASS Y	1			
11	11102-235	HOLDER	1			
12	31034-170	PIN	2			
13	68013-266	SPRING	1			
14	71158-103	RATCHET ASS Y	1			
15	11102-235	HOLDER	1			
16	31034-170	PIN	2			
17	68013-266	SPRING	1			
18	68036-275	WASHER (15.2x26x3.2)	2			
19	31057-181	BOLT	3			
20	68036-101	WASHER (9x25x2.3)	3			
21	11006-162	STAY C.P.	1			
22	11006-152	STAY C.P.	1			
23	342L0612	FLANGE TAPPING BOLT	1			
24	31057-255	BOLT (M8x25)	1			
25	584L0800	U-FLANGE NUT	1			
26	71122-110	ADJUSTER ASS Y	1			
27	11142-125	ADJUSTER	1			
28	11102-228	HOLDER	1			
29	916B6202	BEARING (6202DDC3)	1			
30	71122-111	ADJUSTER ASS Y	1			
31	11142-126	ADJUSTER	1			
32	11102-228	HOLDER	1			
33	916B6202	BEARING (6202DDC3)	1			
34	11150-105-09	ADJUST LEVER	2			
35	36061-121	KNOB	2			
36	613L0800	PLAIN WASHER	2			
37	569L0800	FLANGE NYLON NUT	2			
38	71041-145	WHEEL ASS Y	2			
39	91086-116	TIRE	2			
41	916B6002	BEARING (6002DDC3)	4			
43	51113-119	RING	2			
44	31057-181	BOLT	2			
45	68036-101	WASHER (9x25x2.3)	2			
46	11006-153	STAY C.P.	1			
47	11006-154	STAY C.P.	1			
48	11153-112	BUMPER	1			
49	335L0625	FLANGE BOLT	6			
50	569L0600	FLANGE NYLON NUT	6			
51	11142-127	ADJUSTER	1			
52	11142-128	ADJUSTER	1			
53	11150-109-09	ADJUST LEVER	2			
54	36061-121	KNOB	2			
55	68036-101	WASHER (9x25x2.3)	2			
56	584L0800	U-FLANGE NUT	2			
57	68013-393	SPRING	4			



Ref.No.	Part No.	Part Name	(A)Q`ty	(B)Q`ty	(C)Q`ty	Remark
1	51027-249	HANDLE	1			
2	51027-250	HANDLE	1			
3	11095-172	LEVER	1			
4	36110-102	BUTTON	1			
5	11049-109	SLIDE PLATE	1			
6	64014-336	SHAFT	1			
7	376L0612	(+)TRUSS SCREW	1			
8	71203-135	ARM C.P.	1			
9	76007-183	BUSH	1			
10	68013-371	SPRING	1			
11	31056-127	GIB-HEADED PIN	1			
12	576V0600	PUSH NUT	1			
13	68013-392	SPRING	1			
14	11109-111	LINK	1			
15	61023-190	SLEEVE	1			
16	64014-337	SHAFT	1			
17	812V0800	C-SNAP RING	1			
18	613L0800	PLAIN WASHER	1			
19	71161-114-09	LEVER ASS Y	1			
21	76007-131	BUSH	2			
22	68013-385	SPRING	1			
23	91010-169	THROTTLE LEVER	1			
24	61003-113	THRUST PLATE	1			
25	68013-356	SPRING	1			
26	31058-168	HEXAGON NUT	1			
27	11095-162	LEVER	1			
28	31057-249	BOLT	1			
29	61003-118	THRUST PLATE	1			
30	11049-108	SLIDE PLATE	1			
31	11109-112	LINK	1			
32	68013-369	SPRING	1			
33	68013-356	SPRING	1			
34	31056-126	GIB-HEADED PIN	1			
35	613L0600	PLAIN WASHER	1			
36	733L0600	SNAP PIN	1			
37	68013-375	SPRING	1			
38	71900-811	COVER ASS Y	1			
39	470L0514	(+)TAPPING SCREW	2			
40	71900-845	BOLT SET	1			
41	569L0800	FLANGE NYLON NUT	4			
42	31057-256	BOLT	4			
43	583L0800	FLANGE CAP NUT	6			
44	71900-846	BAR SET	1			
45	11012-132	HANGER BAND	2			
46	31057-181	BOLT	2			
47	68028-118	WIRE BAND (GT280)	3			
48	91003-178	CONTROL CABLE	1			
49	91003-181	CONTROL CABLE	1			
50	91001-329	THROTTLE WIRE	1			
51	91003-169	CONTROL CABLE(BBC)	1			
52	11062-178	FRAME C.P.	1			
53	36098-132	GRASS BAG C.P.	1			
54	41003-201	TUBE (15.6x800L)	1			
55	68028-119	WIRE BAND (SHT18R-W)	2			
56	36080-156	RUBBER SHEET	1			

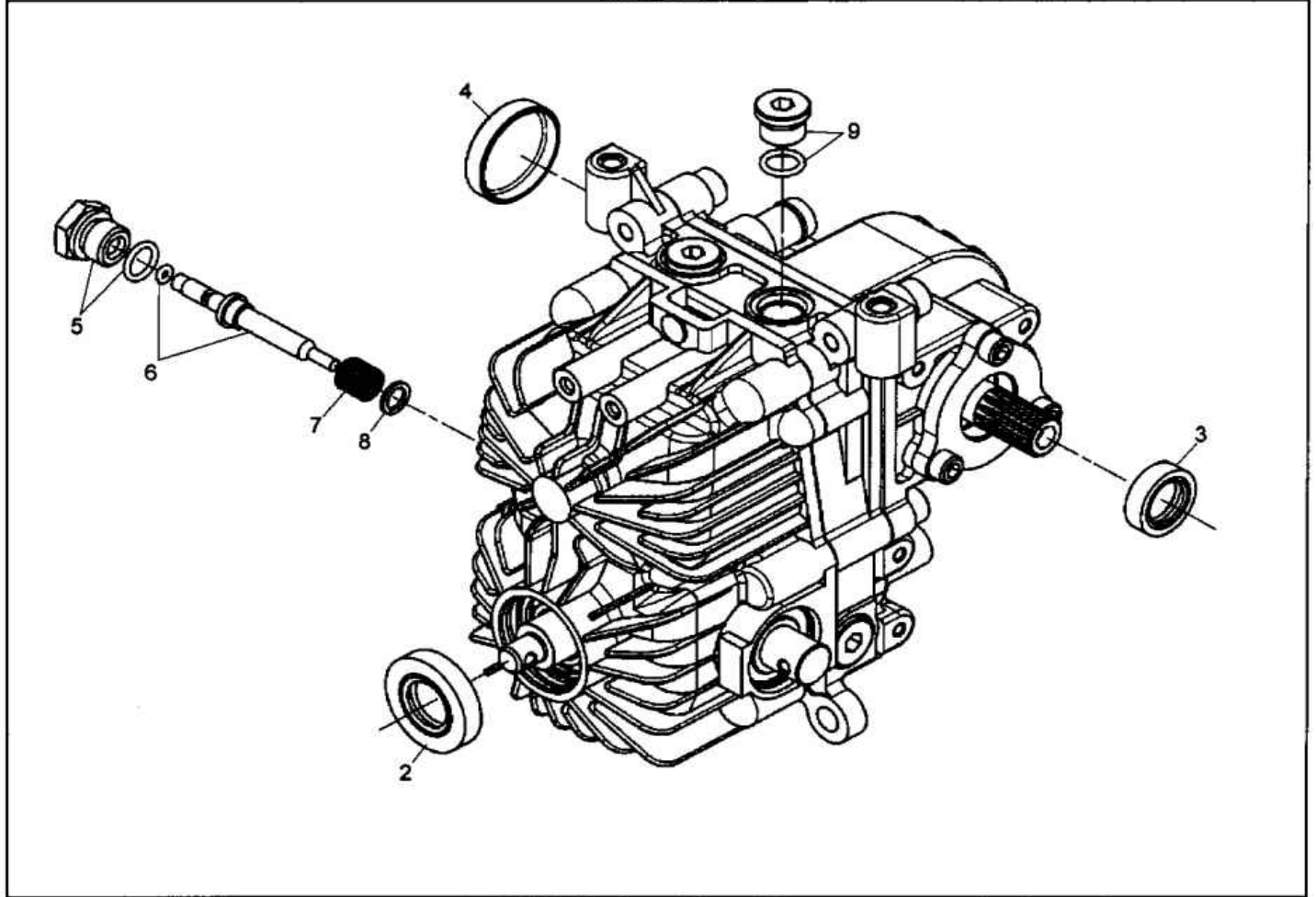


1	19512-883-000	COLLAR.FAN	2			
2	72600-VA4-010	HOLDER ASS Y	1			
3	72610-VA4-000	BLADE HOLDER C.P.	1			
4	72613-VA4-000	BUSH.BLADE HOLDER	2			
5	75090-VA4-030	CONTROL ASS Y	1			
6	75100-VA4-010	BRAKE C.P.	1			
7	75110-VA4-000	BALL RETAINER C.P.	1			
8	75120-VA4-010	DISK.BRAKE	1			
9	75130-VA4-000	BRAKE DISK	1			
10	75132-VA4-000	SPRING.BRAKE HOLDER	3			
11	75133-VA4-000	BUSH.BRAKE HOLDER	3			
12	75140-VA4-020	PLATE COMP..BALL CONTROL	1			
13	75150-VA3-J01	DRIVEN DISK C.P.	1			
14	75182-VA3-J00	SPRING.CLUTCH RETURN	2			
15	75183-VA3-J00	SPRING.CLUTCH	1			
16	90014-952-000	FLANGE BOLT (6x14)	4			
17	90021-VA4-000	BOLT.SPECIAL (6mm)	3			
18	90501-952-010	WASHER.THRUST	1			
19	91102-VA4-013	RADIAL BALL BEARING	1			
20	91103-VA4-003	RADIAL BALL BEARING	1			
21	94401-16150	WOODRUFF KEY (16x15)	1			
22	90105-960-003	BOLT (10x25)	1			
23	90409-952-000	WASHER (10mm)	1			

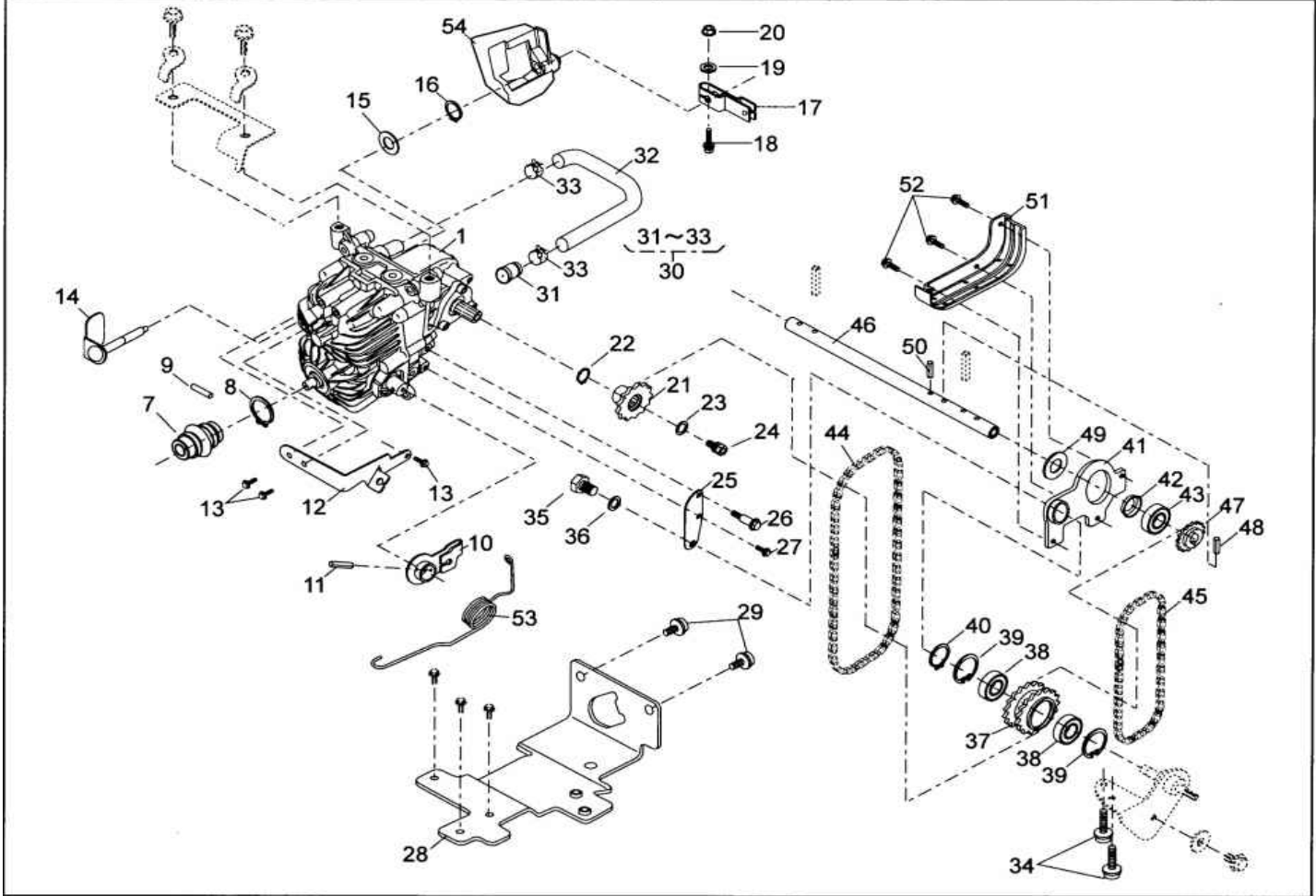


1	11006-166	STAY C.P.	1			
2	36080-154	RUBBER SHEET	1			
3	11113-420	STAY	1			
4	613L0800	PLAIN WASHER	1			
5	423U0812	SOCKET SCREW FLANGE	1			
6	64014-373	SHAFT	1			
7	11083-387	COLLAR	1			
8	31057-181	BOLT	2			
9	64014-374	SHAFT	1			
10	51079-124	COVER C.P.	1			
11	36080-153	RUBBER SHEET	1			
12	11050-182	FIXING PLATE	1			
13	569L0400	FLANGE NYLON NUT	3			
14	11006-167	STAY C.P.	1			
15	36080-155	RUBBER SHEET	1			
16	342L0612	FLANGE TAPPING BOLT	1			





1	71906-732	HST ASS Y	1			
2	61002-201	OIL SEAL (TC17357)	1			
3	61002-200	OIL SEAL (TC15247)	1			
4	91033-106	BLIND COVER	1			
5	71906-208	BYPASS PLUG ASSY	1			
6	71906-207	BYPASS SHAFT ASS Y	1			
7	68013-420	SPRING	1			
8	68036-294	WASHER	1			
9	71906-211	PLUG ASS Y	1			



1	71900-979	HST ASS Y	1			
7	91097-101	UNIVERSAL JOINT	1			
8	812V2000	C-SNAP RING	1			
9	717B0418	PARALLEL PIN	1			
10	51042-126	LEVER C.P.	1			
11	711V0432	SPRING PIN	1			
12	51002-121	WIRE HOLDER	1			
13	335L0612	FLANGE BOLT	3			
14	71203-139	ARM C.P.	1			
15	68036-280	WASHER (10.5x18x1.6)	1			
16	812V1000	C-SNAP RING	1			
17	11104-119	ARM	1			
18	320L0525	(+)HEX. BOLT(W/PW)	1			
19	611L0500	PLAIN WASHER	1			
20	571L0500	FLANGE NUT	1			
21	36112-142	SPROCKET	1			
22	812V1500	C-SNAP RING	1			
23	68036-125	WASHER (6.5x18x1.6)	1			
24	312L0612	HEXAGON BOLT(W/SW)	1			
25	11113-414	STAY	1			
26	31062-109	PRE-COAT LOCK BOLT	1			
27	335L0612	FLANGE BOLT	1			
28	11137-131	BASE C.P.	1			
29	423U0816	SOCKET SCREW FLANGE	2			
30	71900-980	AIR BREATHER ASS Y	1			
31	91096-103	BREATHER	1			
32	36082-125	TUBE	1			
33	68031-144	HOSE BAND	2			
34	423U0820	SOCKET SCREW FLANGE	2			
35	311K0812	HEX. BOLT	1			
36	661L0800	SPRING LOCK WASHER	1			
37	36112-143	SPROCKET	1			
38	916B6002	BEARING (6002DDC3)	2			
39	811V3200	C-SNAP RING	2			
40	812V1500	C-SNAP RING	1			
41	11115-124	TENSION ARM	1			
42	11102-228	HOLDER	1			
43	916B6202	BEARING (6202DDC3)	1			
44	91074-138	CHAIN	1			
45	91074-139	CHAIN	1			
46	64014-366	SHAFT	1			
47	36112-144	SPROCKET	1			
48	31034-137	PIN	1			
49	68036-275	WASHER (15.2x26x3.2)	1			
50	711V0522	SPRING PIN	1			
51	36068-200	GUARD	1			
52	318L0612	(+)HEX. BOLT(W/SW)	3			
53	68013-390	SPRING	1			
54	36065-479	COVER	1			